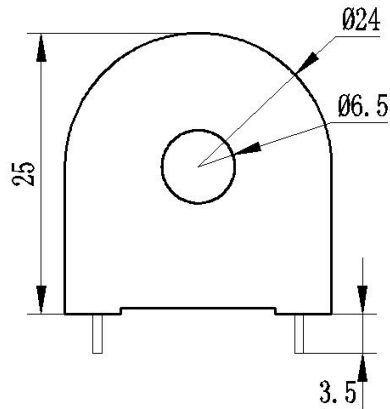


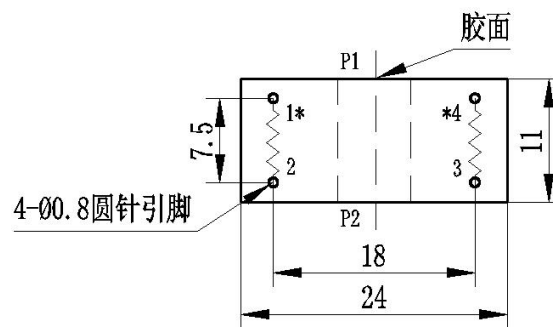
# TVA2/2-C Voltage transformer

Small size, high accuracy, good consistency, For power measurement

Structural parameter:



Front view



Bottom view

The main technical parameters:

Model	TVA2/2-C
Rated input current	2mA
Rated output current	2mA
turns ratio	1000:1000
Phase angle error (Rated input)	$\leq 20'$
linear range	0~3mA
linearity	0.1%
Accuracy class	0.2
isolation voltage	4000V
application	measurement
Encapsulation	Epoxy
installation	PCB mounting

operating temperature	-40°C ~ +70°C
-----------------------	---------------

Direction for use:

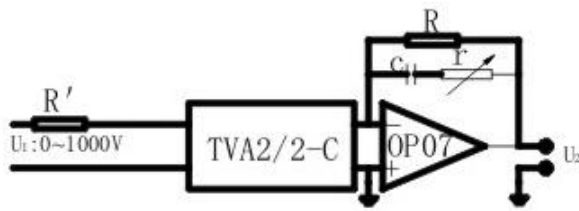


Figure I

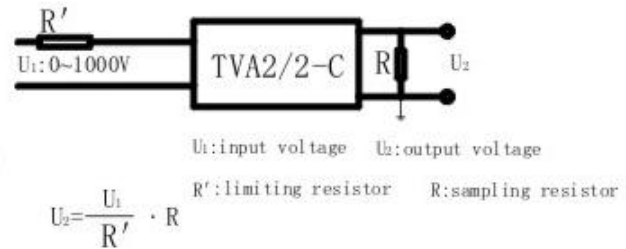


Figure II

1. the typical usage of the product is for the active output (Figure I). R' is a limiting resistor, R is a sampling resistor, c and r is used for phase compensation.
2. The product can be directly through the resistance sampling , easy to use ( Figure II)
3. The instructions are for reference only; specific parameter is subject to specifications (acknowledgment).