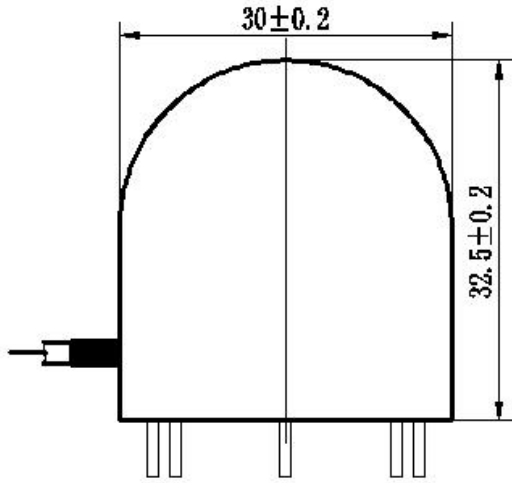


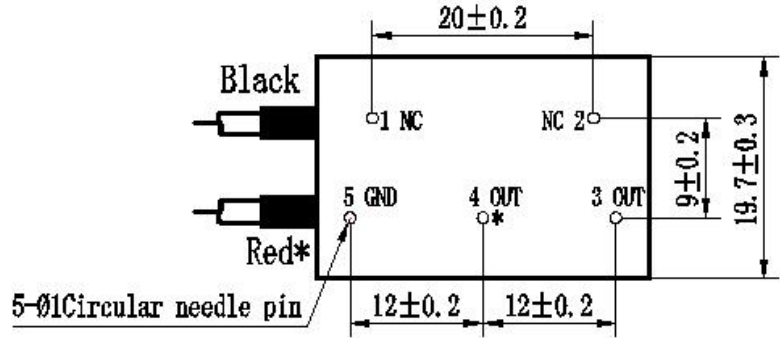
ZM-GCT series Current Transformer

Direct voltage outputs, no power supply, high reliability, for the power measurement and protection

Structural parameter:

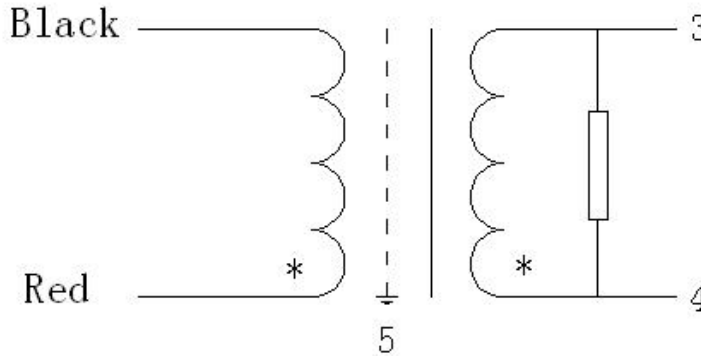


Front view



Bottom view

Circuit schematic:



The main technical parameters:

Model	Rated input current(A)	Rated output voltage(V)	Accuracy class	Phase angle error	Overload multiples	Compressive strength(V)	remark
ZM-GCT 1A/3.53V	1	3.53	0.1	≤5'	2	3000	measurement
ZM-GCT 2A/3.53V	2	3.53	0.1	≤5'	2		
ZM-GCT 6A/1.414V	5	1.178	0.1	≤5'	2		
ZM-GCT 6A/2.4V	5	2.0	0.1	≤5'	2		
ZM-GCT 6A/3.53V	5	2.941	0.1	≤5'	2		
ZM-GCT 20A/1.414V	1	0.0707	0.2	≤20'	20	3000	protection
ZM-GCT 20A/2.4V	1	0.12	0.2	≤20'	20		
ZM-GCT 20A/3.53V	1	0.1765	0.2	≤20'	20		
ZM-GCT 100A/1.414V	5	0.0707	0.2	≤20'	20		
ZM-GCT 100A/2.4V	5	0.12	0.2	≤20'	20		
ZM-GCT 100A/3.53V	5	0.1765	0.2	≤20'	20		

Note: the table is commonly used models of customers, if customers require different ratios; you only need to provide the technical requirements for the design and production.