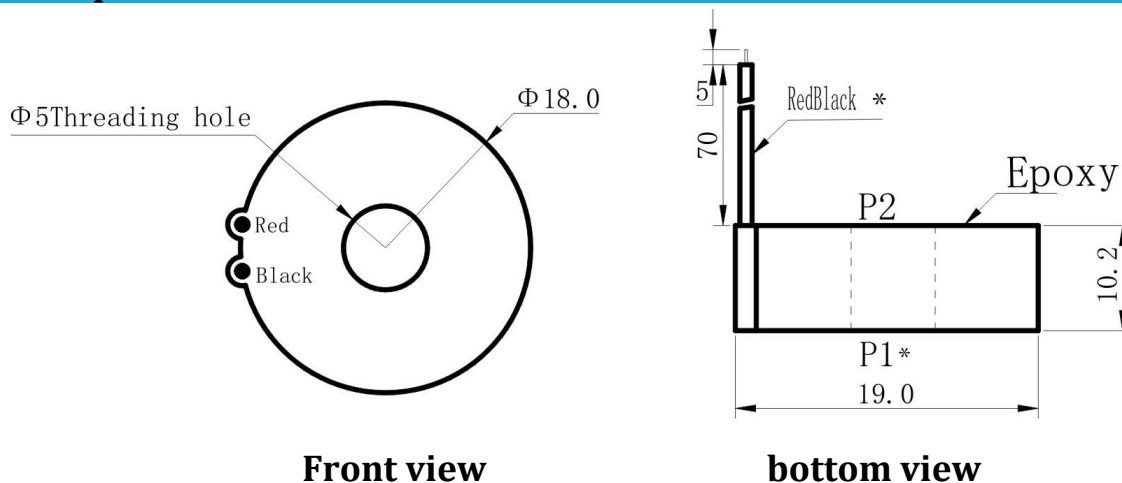


ZMCT103U current transformer

Small size, high accuracy, good consistency, for the precise measurement of current and power

Structural parameter:



Front view

bottom view

The main technical parameter:

Model	ZMCT103U
primary current	0~10A (sampling resistor 50Ω)
secondary current	5mA at input 5A
turns ratio	1000:1
phase angle error	≤30' (input 5A, sampling resistor 50Ω)
Accuracy class	0.5
linearity	≤0.2%(5%~120% of 5A)
Permissible error	-0.5%≤f≤+0.5% (input 5A, sampling resistor 50Ω)
isolation voltage	4500V
application	precise measurement of current and power
Encapsulation	Epoxy
installation	punching
operating temperature	-40℃~+85℃

Direction for use :

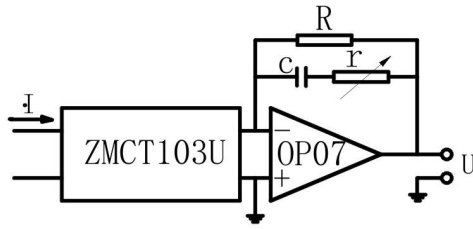
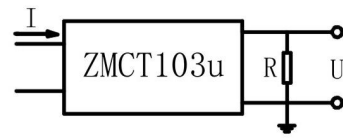


Figure I



$$U = \frac{I}{1000} \cdot R$$

I: input current
R: sampling resistor
V: sampling voltage

Figure II

1. The typical usage of the product is for the active output (Figure I). R is a sampling resistor, c and r is used for phase compensation.
2. The product can be directly through the resistance sampling, easy to use (Figure II).
3. The instructions are for reference only, specific parameter is subject to specifications (acknowledgment).