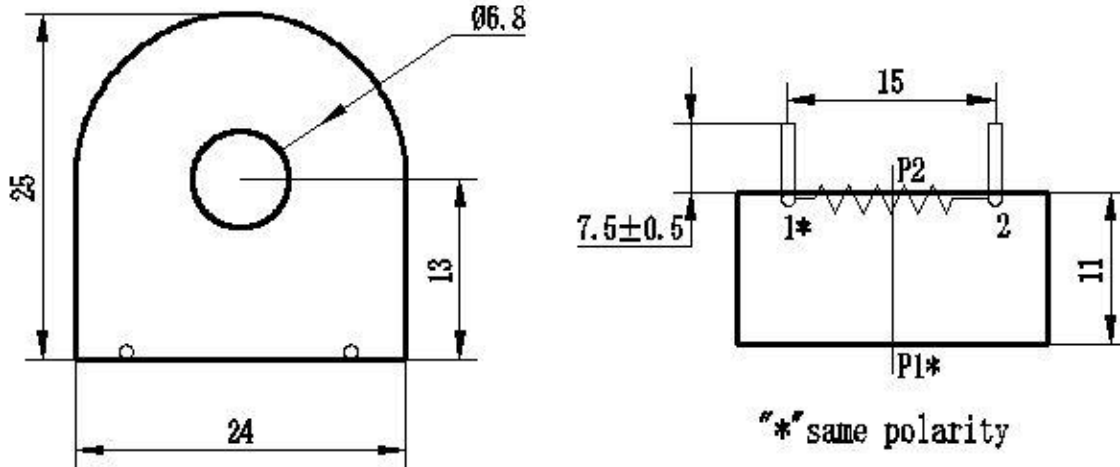


ZMCT116W Current Transformer

Small size, high accuracy, good consistency, for current and power measurement

Structural parameters:



Unit:mm

Tolerance: $\pm 0.2\text{mm}$

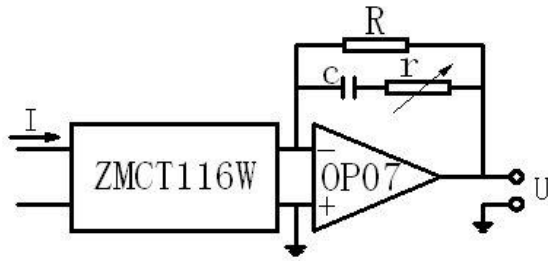
Front view

Bottom view

The main technical parameters:

Model	ZMCT116W
input current	0~70A (sampling resistor 100 Ω)
Rated output current	2mA at input 5A
turns ratio	2500:1
phase angle error	$\leq 20'$ (input 1A, sampling resistor 100 Ω)
current range	0~70A (sampling resistor 100 Ω)
linearity	0.1% (5%dot ~ 120%dot)
Permissible error	$-0.2\% \leq f \leq +0.2\%$ (input 1A, sampling resistor 100 Ω)
isolation voltage	4500V
application	current and power measurement
Encapsulation	Epoxy
installation	PCB mounting (Pin Length>3mm)
operating temperature	-40 $^{\circ}\text{C}$ ~+85 $^{\circ}\text{C}$

Direction for use:



$$U = \frac{I}{2500} \cdot R$$

I: input current
R: sampling resistor
U: sampling voltage

Figure I

Figure II

1. ZMCT116W used for measurement. Typical usage is shown in Figure 1 and Figure 2. R is a sampling resistor.
2. Empty pin can not be grounded.