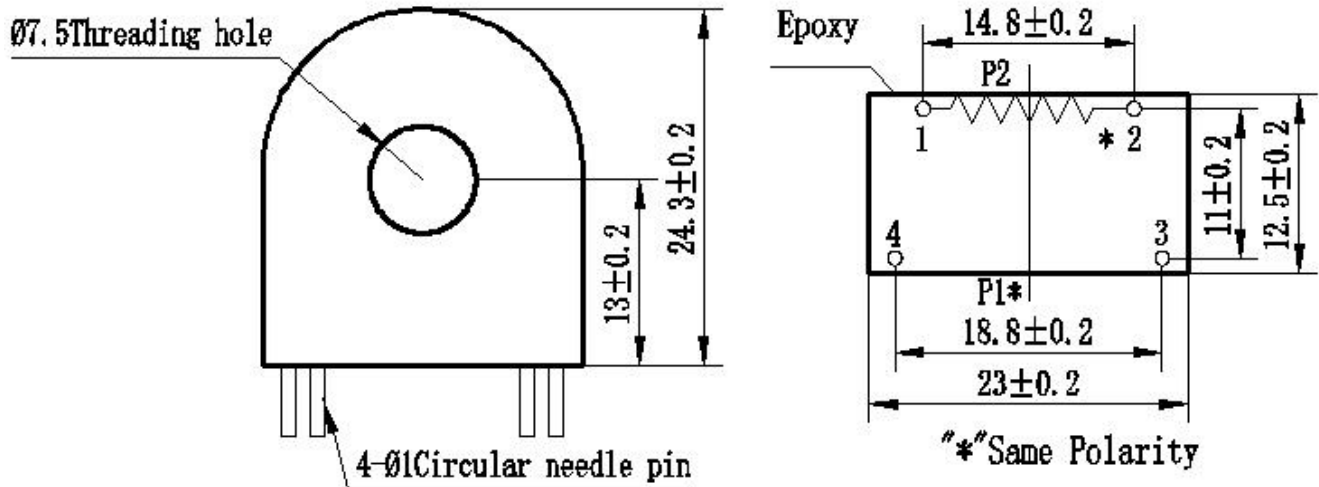


# ZMCT118F Current Transformer

Small size, high accuracy, good consistency, for current and power measurement

## Structural parameters:



1、2pin: secondary output, 3、4pin: empty pin

**Front view**

**Bottom view**

## The main technical parameters:

model	ZMCT118F
input current	0~30A (sampling resistor 50Ω)
Rated output current	5mA at input 5A
turns ratio	1000:1
phase angle error	≤15' (input 5A, sampling resistor 50Ω)
linear range	0~30A (sampling resistor 50Ω)
linearity	≤0.3% (5%dot~120%dot)
Permissible error	-0.3%≤ f ≤+0.3% (input 5A, sampling resistor 50Ω)
isolation voltage	4500V
application	Precise measurement of current and power
Encapsulation	Epoxy
installation	PCB mounting (Pin length>3mm)
operating temperature	-40℃~+85℃

Direction for use:

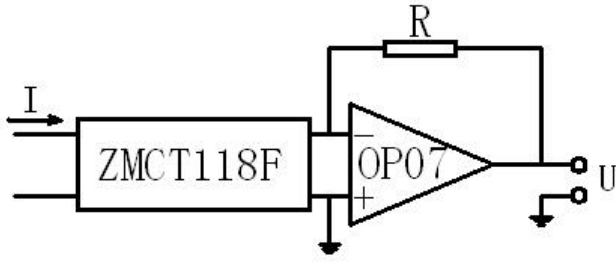
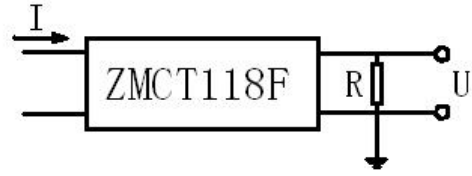


Figure I



$$U = \frac{I}{1000} \cdot R$$

I: input current  
 R: sampling resistor  
 U: sampling voltage

Figure II

1. ZMCT118F used for measurement. Typical usage is shown in Figure 1 and Figure 2.  
 R is a sampling resistor.
2. Empty pin can not be grounded.