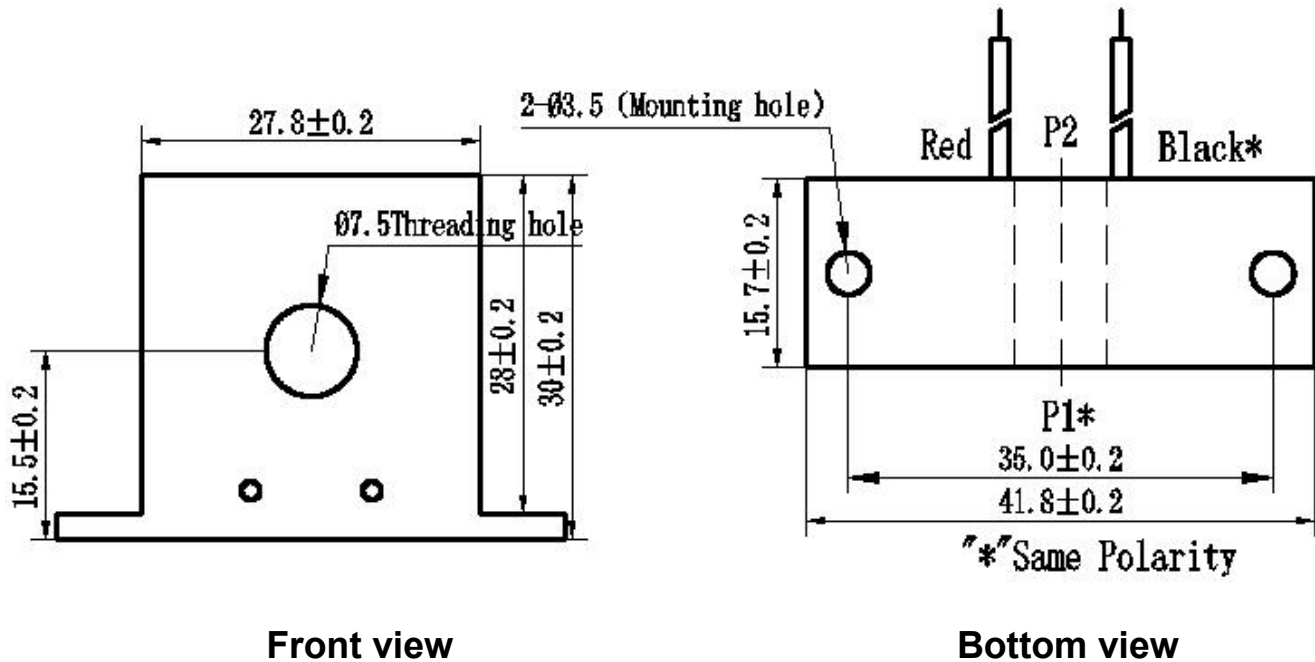


# ZMCT120 Current Transformer

Small size, high accuracy, good consistency, for current and power measurement

## Structural parameters:



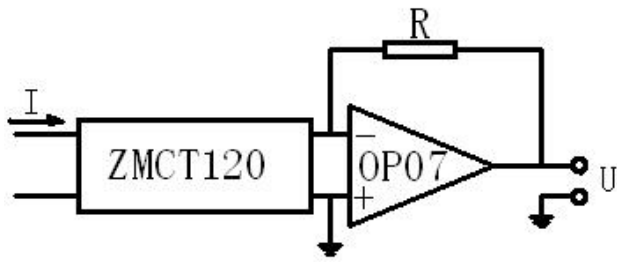
Front view

Bottom view

## The main technical parameters :

Model	ZMCT120
input current	0~100A (sampling resistor 10Ω)
Rated output current	5mA at 10A
turns ratio	2000:1
phase angle error	$\leq 10'$ (input 10A, sampling resistor 10Ω)
Accuracy class	0.2
linearity	$\leq 0.1\%$ (5%~120%)
Permissible error	$-0.2\% \leq f \leq +0.2\%$ (input 5A, sampling resistor 10Ω)
isolation voltage	4500V
application	current and power measurement
Encapsulation	Epoxy
installation	Screw mounting
operating temperature	$-40^{\circ}\text{C} \sim +70^{\circ}\text{C}$

Direction for use:



**Figure I**



$$U = \frac{I}{2000} \cdot R$$

I: input current  
R: sampling resistor  
U: sampling voltage

**Figure II**

1. ZMCT120 used for measurement. Typical usage is shown in Figure 1 and Figure 2. R is a sampling resistor.