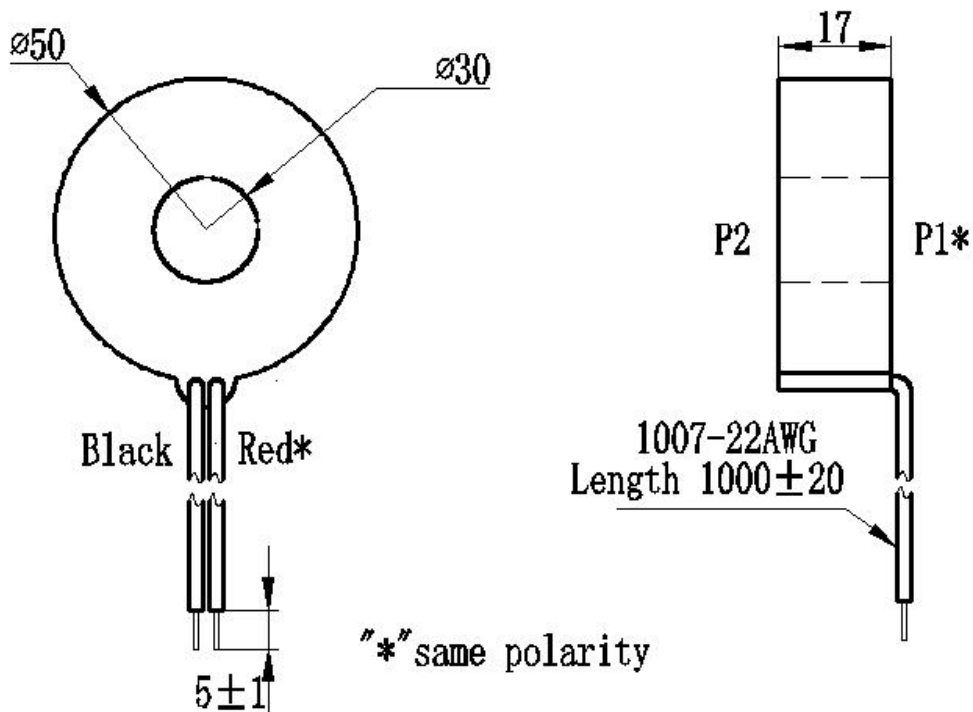


# ZMCT153 Current Transformer

Structural parameters:  
(Unit:mm)



**NOTE:** ALL LEAD WIRES ARE #22AWG UL1007, 300V;  
LENGTH  $1000 \pm 20.0$ mm. S&T  $5.0 \pm 1$ mm

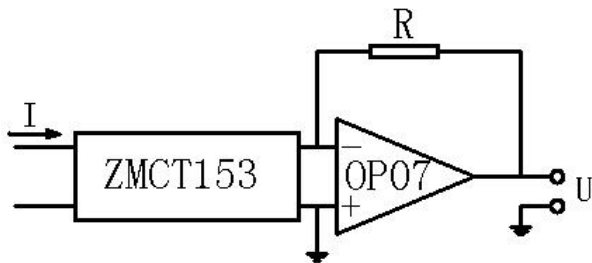
**Front View**

**Lateral view**

## The main technical parameters:

Model	ZMCT153
input current	0~300A (sampling resistor 10Ω)
Rated output current	10mA at input 20A
Turns ratio	2000:1
Accuracy class	0.2
linearity	≤0.1%(5%dot~120%dot)
Permissible error	-0.2% ≤ f ≤ +0.2% (input 20A, sampling resistor 10Ω)
Output leads	<b>Red, black (same polarity: P1 and Red wire)</b>
internal resistance	60 Ω ±15%
Isolation voltage	3000V
Case	PBT
Wire	#22AWG UL1007, 300V
Encapsulation	Epoxy
installation	Straight-through type
operating temperature	-40℃~+85℃

## Direction for usage:



$$U = \frac{I}{2000} \cdot R$$

I: input current

R: sampling resistor

U: sampling voltage

1. ZMCT153 used for protection. Typical usage as shown.