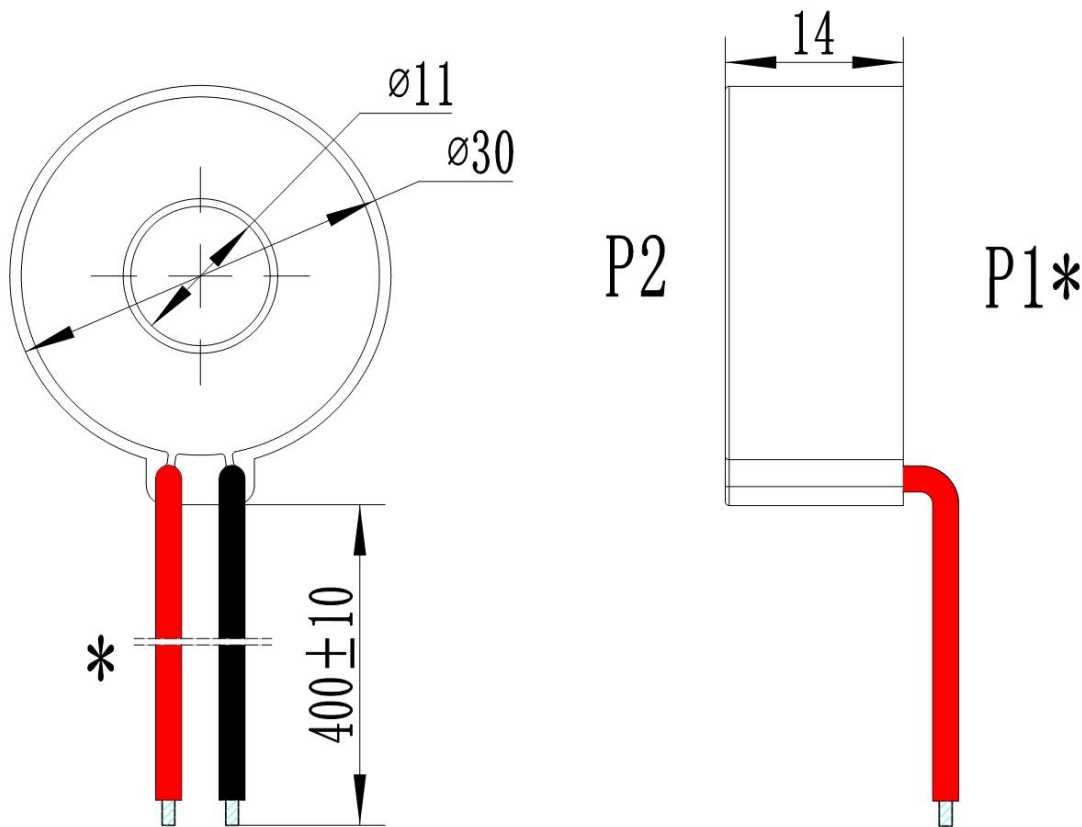


ZMCT187 current transformer

Small size, high accuracy, good consistency, for current and power measurement

1. Structural parameters:



Secondary line: UL1007 26AWG

*Same polarity

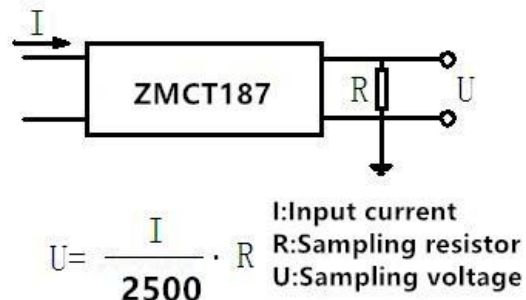
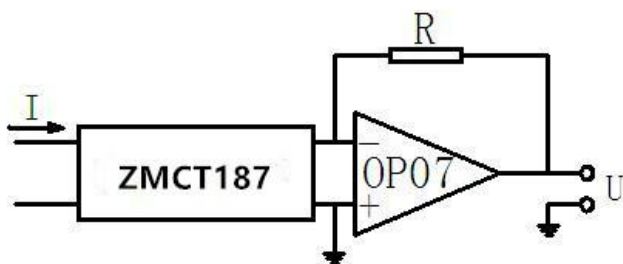
Front view

Bottom view

2. Main technical parameters:

Model	ZMCT187
Input current	0-120A (10Ω)
Rated output current	4mA at input 10A
Turns ratio	2500:1
Phase angle error	$\leq 20'$ (Input 10A, sampling resistor 10Ω)
Accuracy class	0.5
Permissible error	$-0.5\% \leq f \leq +0.5\%$ (Input 10A, sampling resistor 10Ω)
Isolation voltage	3000V
Usage	Precise measurement of current and power
Encapsulation	Epoxy
Installation	Output lead mounting (The lead length of the drawing is the regular length)
Operating temperature	$-40^{\circ}\text{C} \sim +85^{\circ}\text{C}$

3. Direction for use:



1. The typical usage of ZMCT187 is the active output (Figure 1). R is the sampling resistor.
2. The product can be directly sampled through the resistor, easy to use (Figure 2).