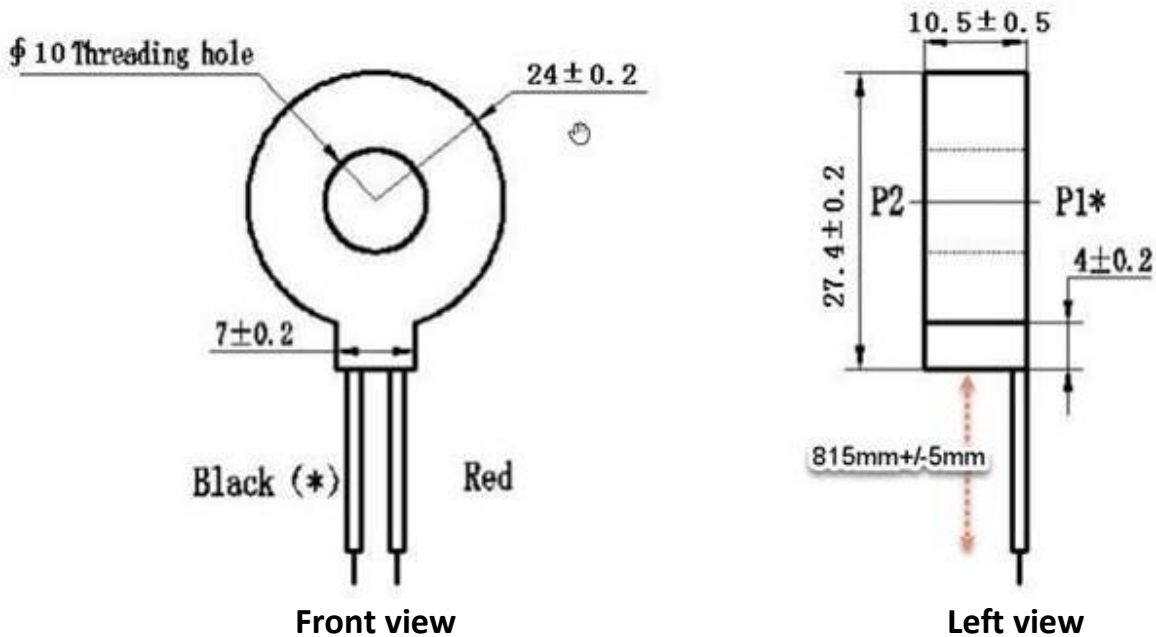


ZMCT356 Current Transformer

high accuracy, good consistency, for current measurement

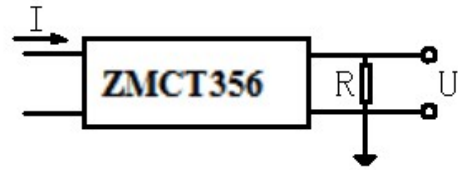
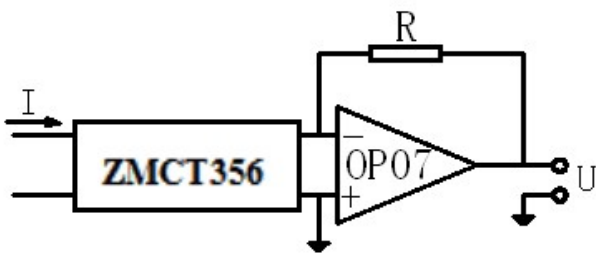
1. Structural parameters:



2. The main technical parameters:

Model	ZMCT356
input current	0-50A (sampling resistor 10Ω)
Rated output current	2.5mA at input 5A
turns ratio	2000:1
phase angle error	≤20' (input 5A, sampling resistor 10Ω)
linear range	0~50A(sampling resistor 10Ω)
linearity	0.2% (5%~120%)
Ratio error	-0.5%≤f≤+0.5%(input 5A, sampling resistor 10Ω)
isolation voltage	3000V
application	measurement
Encapsulation	Epoxy
installation	Output leads installation
operating temperature	-40℃~+85℃

3. Instruction:



$$U = \frac{I}{2000} \cdot R$$

I: input current
 R: sampling resistor
 U: sampling voltage

Figure I

Figure II

1. ZMCT356 used for the measurement, the typical usage is shown in Figure I and Figure II. R is a sampling resistor.

4. Material list:

NO.	Material	Spec, model	UL code	SGS
1	Ultracrystallite core	Ø14*19*5	---	yes
2	Enameled wire (Winding wire)	2UEW Ø0.08, 2000T	E258243	yes
3	Tape	Flame retardant, Environmental protection, 5mm	E328315	yes
4	Fills and seals material	TXH-9201 epoxy resin insulating compound	E196959	yes
5	Outer covering	Environmental protection	E59481	yes
6	Leading wires	1007-26#,0.12mm	E315651	yes