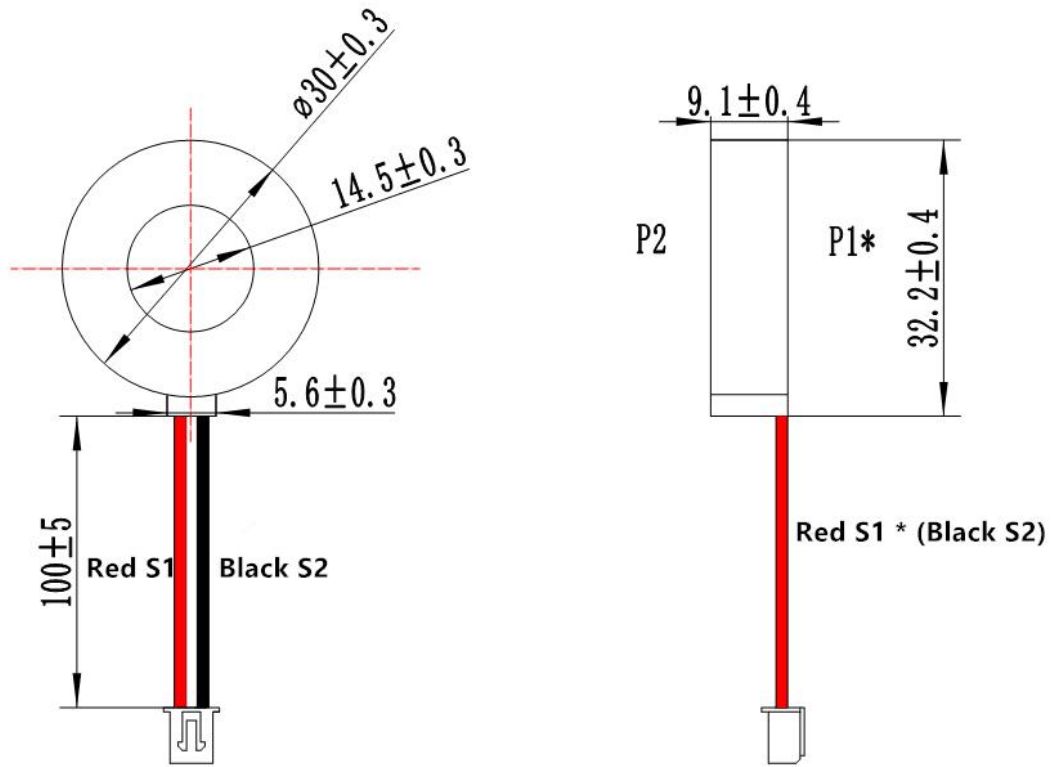


# ZMCT360I-1 Current Transformer

high accuracy, good consistency, for current measurement

## Structural parameters:



Front view

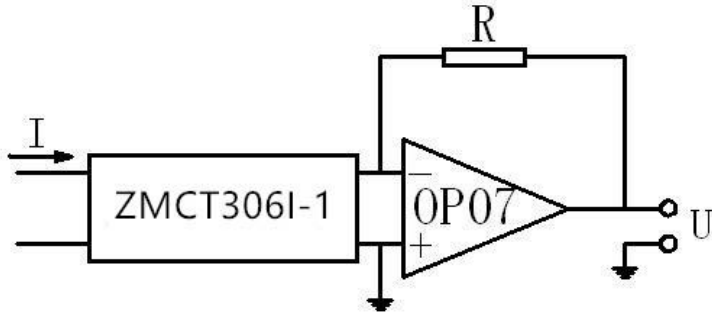
Left view

**Note: The CT is with XH 2.54 connector**

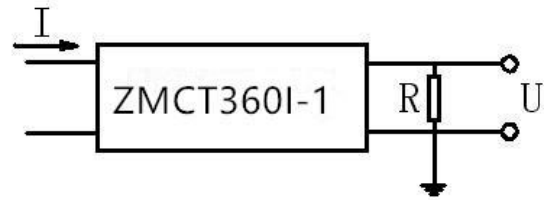
## The main technical parameters:

Model	ZMCT360I-1
input current	0-100A (sampling resistor 20Ω)
Rated output current	26.3mA at input 20A
turns ratio	760:1
phase angle error	No requirements (input 20A, sampling resistor 20Ω)
Accuracy class	3.0
Permissible error	-3.0%≤f≤+3.0% (input 20A, sampling resistor 20Ω)
isolation voltage	3000V
application	measurement
Encapsulation	Epoxy
installation	Output leads installation
operating temperature	-40°C~+85°C
Air Ambient	-40°C~+85°C

**Instruction:**



**Figure I**



$$U = \frac{I}{760} \cdot R$$

I为输入电流  
R为采样电阻  
U为采样电压

**Figure II**

ZMCT360I-1 used for the measurement, the typical usage is shown in Figure I and Figure II . R is a sampling resistor.

**Material list:**

NO.	Material	Spec, model	UL code	SGS
1	Silicon Steel core with epoxy coating	∅18.5*26.5*5	—	yes
2	Enameled wire (Winding wire)	∅0.13, 760T	E258243	yes
3	Tape	Flame retardant, Environmental protection, 5mm	E328315	yes
4	Fills and seals material	TXH-9201 epoxy resin insulating compound	E196959	yes
5	Outer covering	Environmental protection	E59481	yes
6	Leading wires	UL1007-22#	E315651	yes